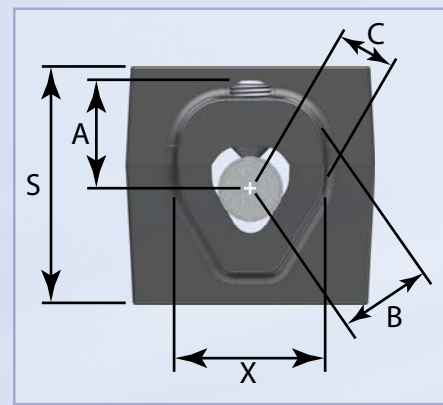
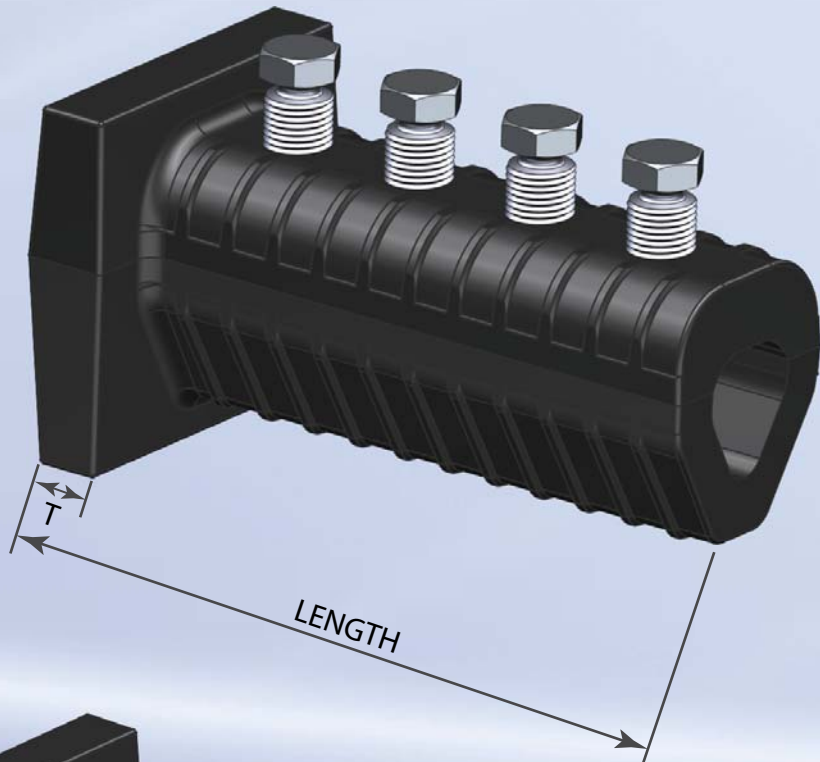


Zap T-lok™

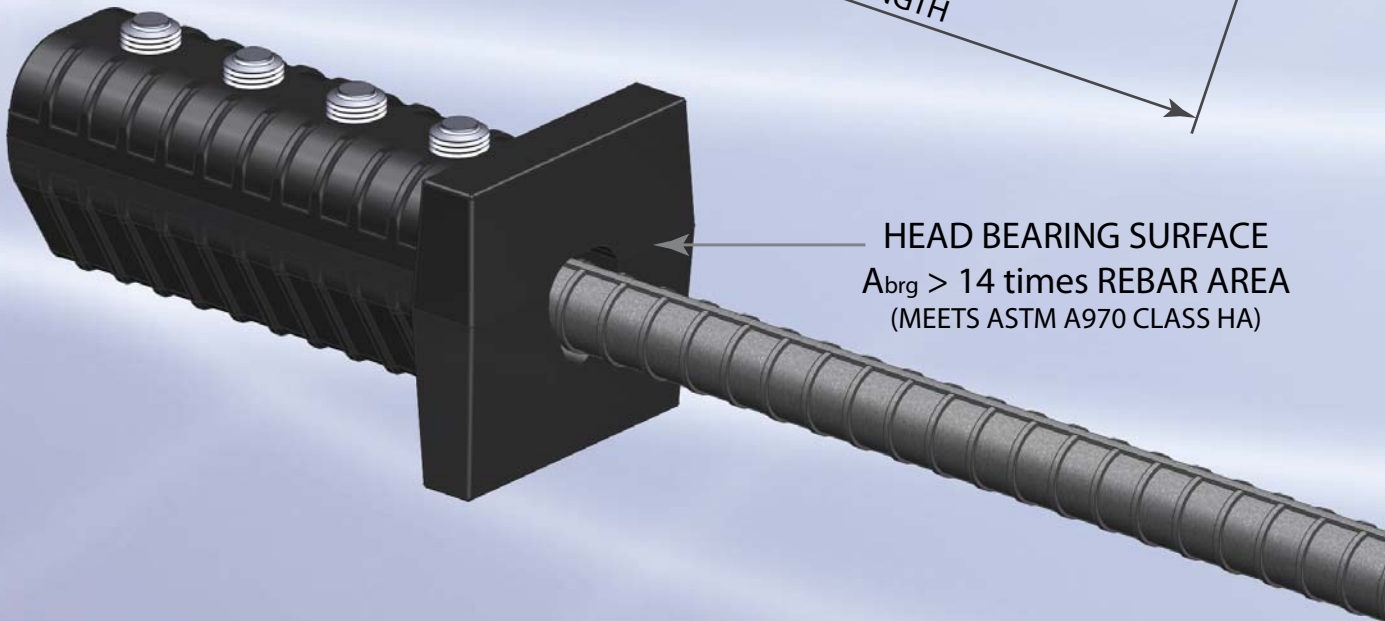
DATA SHEET — [inch-pound units]



HEAD BEARING SURFACE
 $A_{brg} > 9$ times REBAR AREA
 (MEETS ASTM A970 CLASS A)



HEAD BEARING SURFACE
 $A_{brg} > 14$ times REBAR AREA
 (MEETS ASTM A970 CLASS HA)



A_{brg} = net bearing area of the head in tension.

For Zap T-lok, $A_{brg} > 9$ x area of reinforcing bar with connecting body in front of bearing surface (meets ASTM A970 Class A).

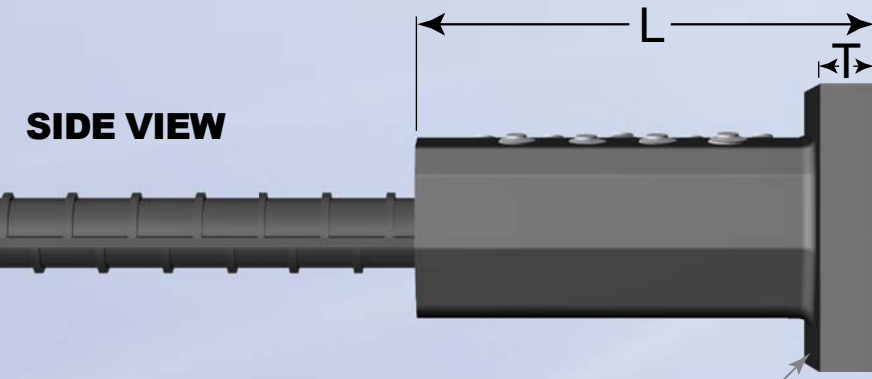
$A_{brg} > 14$ x area of reinforcing bar with connecting body behind bearing surface (meets ASTM A970 Class HA requirements).

REBAR SIZE	PRODUCT CODE	WEIGHT (lb)	LENGTH (in.)	'A' (in.)	'B' (in.)	'C' (in.)	'X' (in.)	'S' (in.)	'T' (in.)	NUMBER SCREWS	AVE. SCREW TORQUE (ft-lbs)
4	0405ZDX	2.7	5	1 ¼	1 ⅛	5/8	1 5/8	2 ½	½	4	50
5	0405ZDX	2.7	5	1 ⅜	1	¾	1 5/8	2 ½	½	4	50

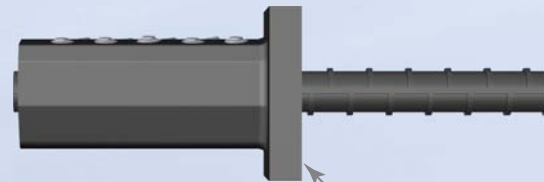
Zap T-lok™

DATA SHEET — [inch-pound units]

SIDE VIEW



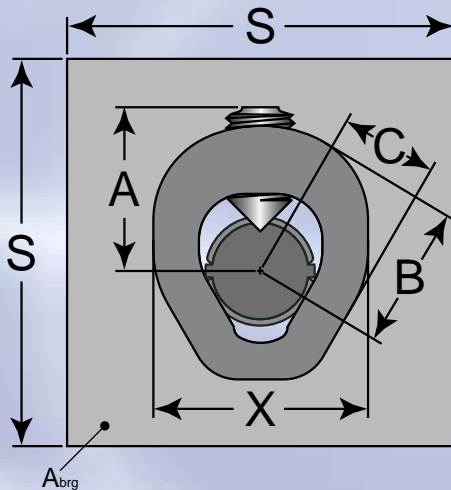
ASSEMBLY ORIENTATIONS



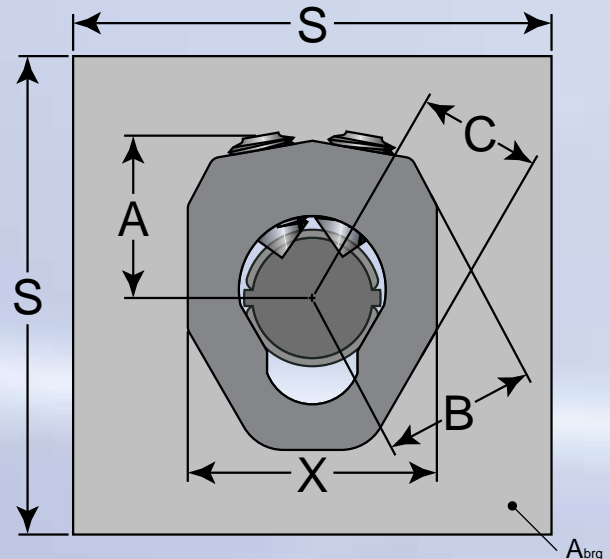
HEAD BEARING SURFACE
 $A_{brg} > 14$ times REBAR AREA
 (MEETS ASTM A970 CLASS HA)

HEAD BEARING SURFACE
 $A_{brg} > 9$ times REBAR AREA
 (MEETS ASTM A970 CLASS A)

END VIEW
 sizes #6, #7, #8, #9



END VIEW
 sizes #10, #11, #14, #18



A_{brg} = net bearing area of the head in tension.

For Zap T-lok, $A_{brg} > 9$ x area of reinforcing bar with connecting body in front of bearing surface (meets ASTM A970 Class A).

$A_{brg} > 14$ x area of reinforcing bar with connecting body behind bearing surface (meets ASTM A970 Class HA requirements).

REBAR SIZE	PRODUCT CODE	WEIGHT (lb)	LENGTH 'L' (in)	'A' (in)	'B' (in)	'C' (in)	'X' (in)	'S' (in)	'T' (in)	NUMBER SCREWS	AVE. TORQUE (ft-lbs)
6	0607ZDX	5.6	6 1/2	1 5/8	1 3/8	3/4	1 7/8	3 1/4	5/8	4	100
7	0607ZDX	5.5	6 1/2	1 3/8	1 1/4	7/8	1 7/8	3 1/4	5/8	4	100
8	0809ZDX	10	8 3/8	2	1 3/4	1	2 3/8	4 1/4	3/4	5	200
9	0809ZDX	10	8 3/8	1 13/16	1 9/16	1 1/8	2 3/8	4 1/4	3/4	5	200
10	1011ZDX	19	8 1/2	2	1 7/8	1 1/4	2 3/4	5 1/4	1	9	200
11	1011ZDX	19	8 1/2	1 3/4	1 11/16	1 3/8	2 3/4	5 1/4	1	9	200
14	14ZDX	32	10 1/4	2 1/8	2	1 5/8	3 1/2	6 1/4	1 1/4	10	350
18	18ZDX	76	17 1/8	2 5/8	2 1/2	2	4 7/8	8	1 3/4	19	350

While the information contained in this document is believed to be accurate at the time of publication, BPI reserves the right to make changes, design modifications, corrections and other revisions as it sees fit, without notice. All products described herein are supplied in accordance with BPI's standard Terms and Conditions of Sale. This document is of a promotional nature only. Aspects of structural design, evaluation of product fitness for use, suitability or similar attributes are the responsibility of others.